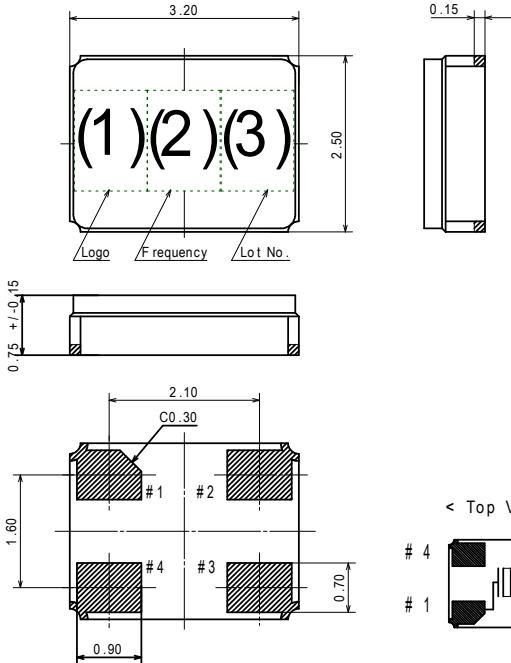


SPECIFICATION OF SURFACE MOUNT TYPE

1 .TYPE	DSX321G
2 .NOMINAL FREQUENCY	12.000000 MHz
3 .LOAD CAPACITANCE (CL)	12 pF
4 .DRIVE LEVEL	10 uW +/- 2 uW
5 .FREQUENCY TOLERANCE	+/- 20 X 10 ⁻⁶ at 25 deg.C +/- 3 deg.C
6 .SERIES RESISTANCE	80 ohms max. / CL = SERIES
7 .FREQUENCY CHARACTERISTICS OVER TEMPERATURE	+/- 20 X 10 ⁻⁶ / -20 deg.C to +70 deg.C (ref. +25 deg.C)
8 .OPERATING TEMPERATURE RANGE	-20 deg.C to +70 deg.C
9 .STORAGE TEMPERATURE RANGE	-40 deg.C to +85 deg.C
10 .SHUNT CAPACITANCE (C0)	2.0 pF max.
11 .INSULATION RESISTANCE	500 Mohms min. at 100V DC
12 .OVERTONE ORDER	Fundamental
13 .DIMENSIONS	Refer to Fig.-1



(1)Logo, (2)Frequency and Manufacturing Location

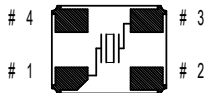
Producing District (1)Logo (2)Frequency

Indonesia	<u>D</u>	12
Thailand	<u>D</u>	12
Taiwan	D	<u>12</u>

- * Made in INDONESIA : Under Bar with D
- * Made in THAILAND : Top Bar with D
- * Made in TAIWAN : Under Bar with 12

(3)Lot No.

< Top View >



unit : mm
Tolerance : +/-0.1
Pin #2 #4 is not connected with anything.

Fig.-1

Approve	Check	Charge
<i>Ishida</i>	<i>[Signature]</i>	<i>[Signature]</i>